



WOODSHAW

CRAFTED FOR YOUR OUTDOOR SPACE

610012

CURVED BENCH ASSEMBLY INSTRUCTIONS

Contents

Fixings

- (1) 6x 90mm Woodscrew
- (2) 6x 60mm Woodscrew

Components

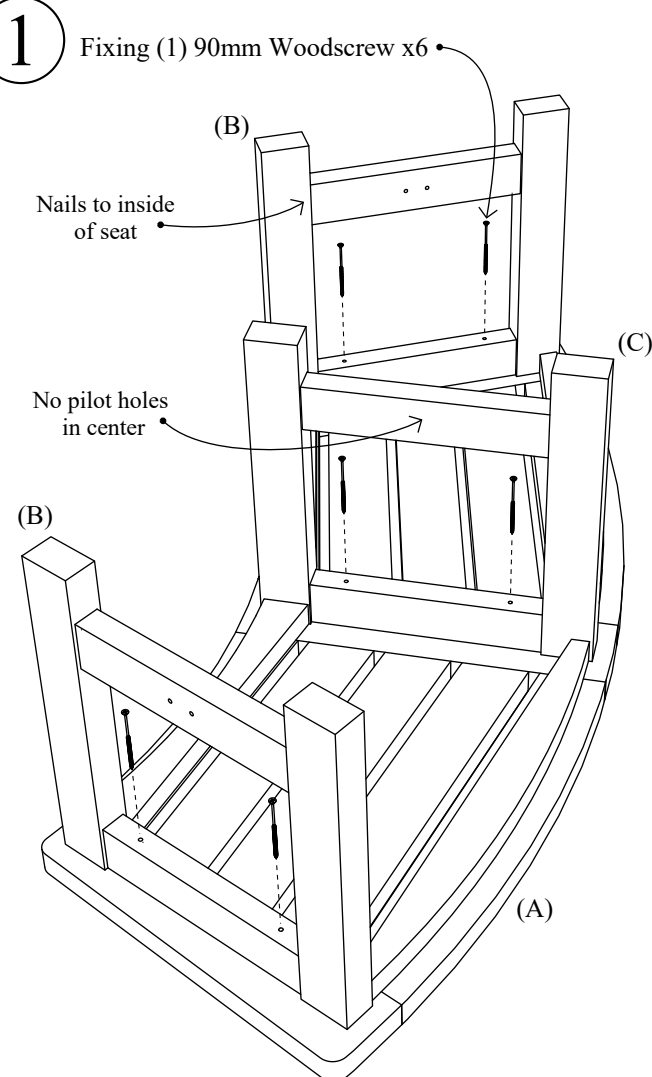
- (A) x1 Seat
- (B) x2 Outer Leg
- (C) x1 Center Leg
- (D) x2 Bottom Rail

Tools Required

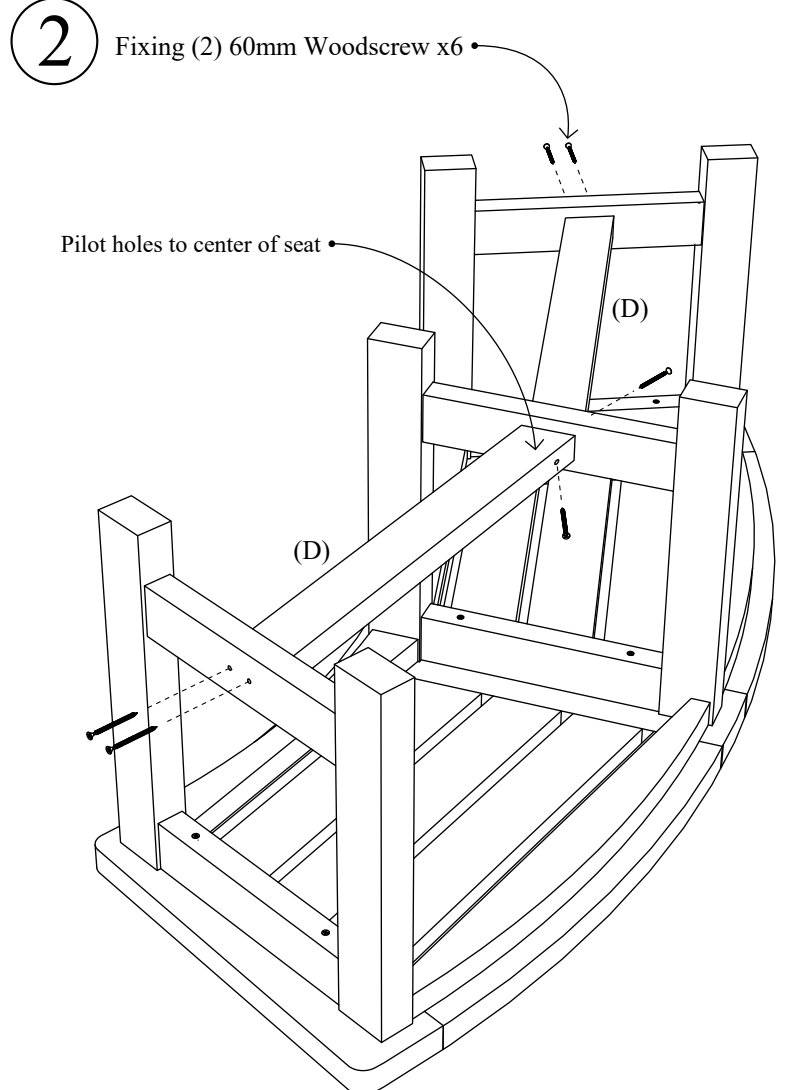
Pozi Drive Screwdriver

Before you start:

- Clear an area to build the product.
- Identify parts and lay them out ready.
- 2 persons advised for assembly.
- Site product on a clear level area



*Fully tighten screws before proceeding to step **2**



*After completion turn the seat over and place where desired



Care and Maintenance

Your new garden item is a natural timber product. In order that you may prolong the life of this product, we recommend that you follow the general care and maintenance advice below.

All fixings to be checked for tightness and signs of deterioration at the beginning of each season and on a regular basis.

We recommend that this product is positioned on firm level ground. If necessary the product can be firmly fixed to the ground by using a proprietary ground anchor.

The timber used in the product is pressure treated in accordance with BS 8417:2011 to provide protection against biodeterioration in end use situations. It is possible that under some environmental conditions that a surface mould may develop, should this happen clean off with mild soapy water.

Product should be checked regularly, and re-coated with a suitable topcoat finish when required. If accidental damage occurs, lightly sand and re-coat with a suitable water based wood preservative. Product can be cleaned periodically with a mild soapy detergent.

This is a natural product and therefore colour may vary slightly from piece to piece. As a natural product it is possible that knots can work loose and sometimes fall out, also resin leakage and small cracks can appear on the woods surface. Should this happen, clean off resin, ensure any sharp edges are sanded smooth and recoat.

Products should be given suitable protection from adverse weather conditions, particularly during the winter months.

Please retain these instructions for future reference and use.



WOODSHAW

CRAFTED FOR YOUR OUTDOOR SPACE