

630001

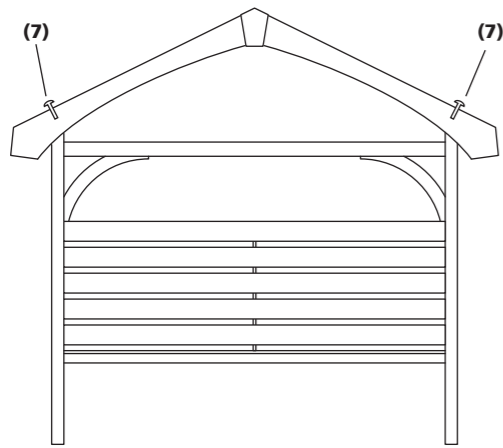
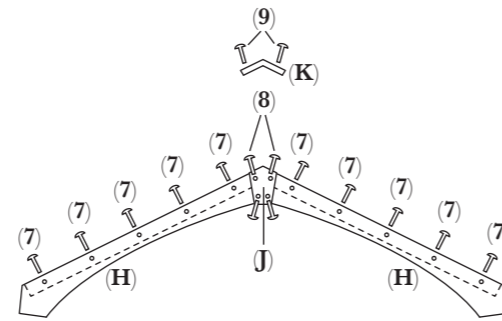


**WOODSHAW**  
CRAFTED FOR YOUR OUTDOOR SPACE

630001

### Diagram 2

- Fit fascia boards (H) to roof assemblies (G) using 20 x fixings (7).
- Join 2 x roof assemblies using fascia caps (J) and 8 x fixings (8) and 1 x Roof Cap (K) using 8 x fixings (9).



### Diagram 3

- Lift completed roof assembly (2 people required) onto frame and fix using 4 x fixings (7).

## APPLETON ARBOUR ASSEMBLY INSTRUCTIONS

### Contents

#### Fixings

- (1) 4 x M8 x 100mm Coach Bolt
- (2) 2 x M8 x 110mm Coach Bolt
- (3) 3 x M8 x 40mm Coach Bolt
- (4) 9 x M8 Nuts and Washers
- (5) 2 x M6 Allen Bolts
- (6) 4 x 50mm Woodscrews
- (7) 24 x 40mm Woodscrews
- (8) 8 x 32mm Woodscrews
- (9) 8 x 25mm Nails

#### Components

- (A) 1 x L/H Side Assembly
- (B) 1 x R/H Side Assembly
- (C) 1 x Seat Assembly
- (D) 1 x Back Assembly
- (E) 1 x Back Rail
- (F) 2 x Back Corners
- (G) 2 x Roof Assemblies
- (H) 4 x Fascia Boards
- (J) 2 x Fascia Caps
- (K) 1 x Roof Cap

#### Tools Required

- 13mm Box Spanner or Socket
- Allen Key (supplied)
- Pozi Drive Screwdriver

### Before you start:

- It will take two people to assemble this product
- Check to make sure you have all of the parts listed above.
- Assemble in a clear, level area.
- Only tighten fully when all components are aligned in place
- Always site on firm, level ground

## Care and Maintenance

Your new garden furniture is a natural timber product. In order that you may prolong the life of this product, we recommend that you follow the general care and maintenance advice below.

All fixings should be checked for tightness and signs of deterioration at the beginning of each season on a regular basis.

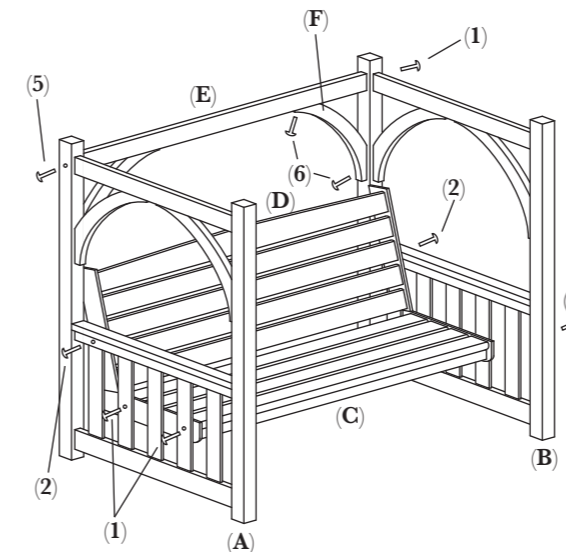
We recommend that this product is positioned on firm, level ground. If necessary, the product can be firmly fixed to the ground by using a proprietary ground anchor.

Product should be checked regularly, and re-coated with a suitable topcoat finish when required. If accidental damage occurs, lightly sand and re-coat with a suitable water based wood preservative. Product can be cleaned periodically with a mild soapy detergent. This is a natural product and therefore colour may vary slightly from piece to piece.

As a natural product, it is possible that knots can work loose and sometimes fall out. Resin leakage and small cracks may also appear on the wood's surface. Should this happen, clean the product of resin, ensure any sharp edges are sanded smooth and re-coat.

Products should be given suitable protection from adverse weather conditions, particularly during the winter months.

Please retain these instructions for future reference and use.



### Diagram 1

- Fix seat assembly (C) to L/H side assembly (A) & R/H side assembly (B) using 4 x fixings (1) & (4).
- Fit seat back assembly (D) to seat assembly (C) and side assemblies (A) & (B) using 3 x fixings (3) & (4) and 2 x fixings (2) & (4).
- Fit back rail (E) to side assemblies (A) & (B) using 2 x fixings (5) and screw in-place back corners (F) using 4 x fixings (6).
- Tighten all fixings.



**WOODSHAW**  
CRAFTED FOR YOUR OUTDOOR SPACE